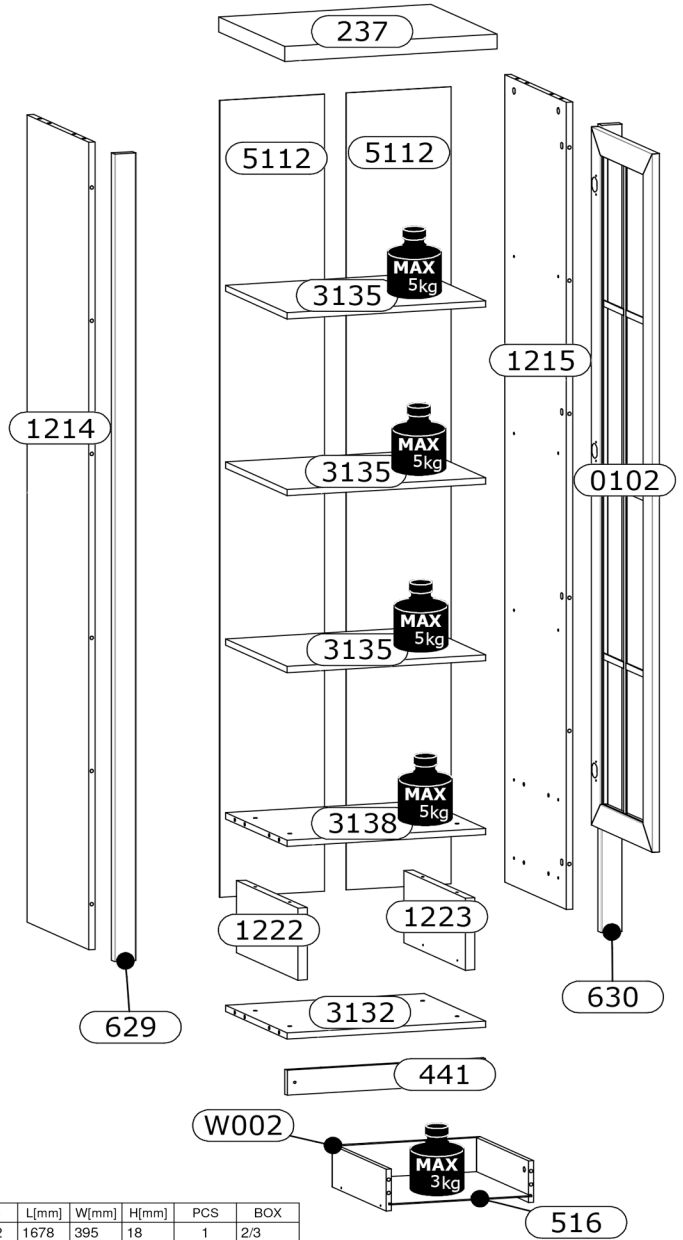
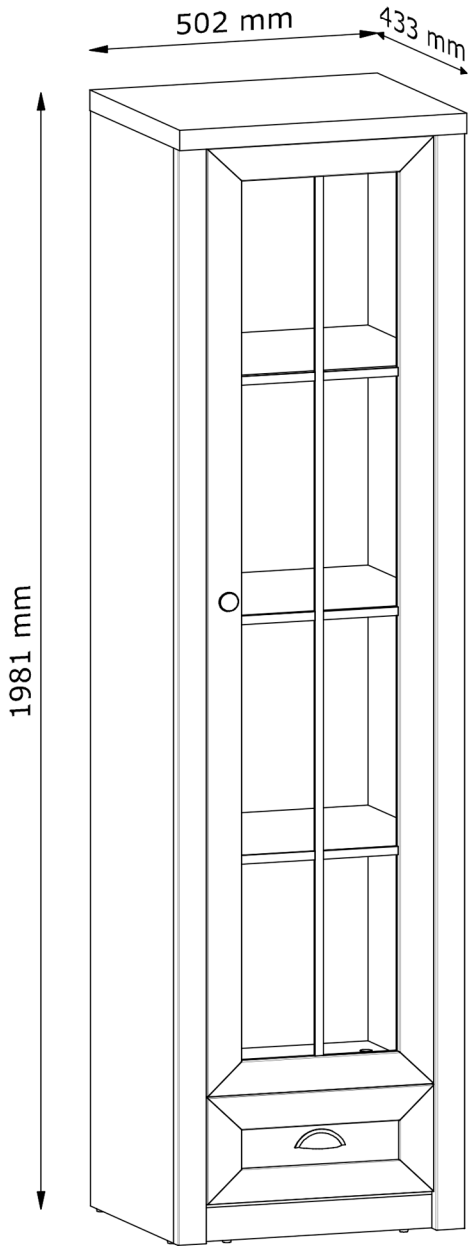
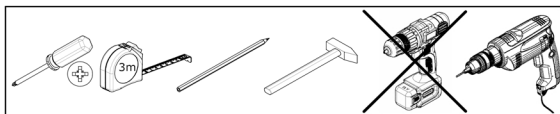


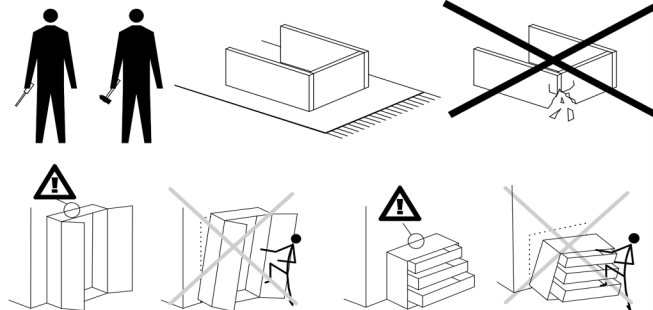
W1S SA



No	L[mm]	W[mm]	H[mm]	PCS	BOX
0102	1678	395	18	1	2/3
0103	395	189	18	1	2/3
1214	1940	400	15	1	2/3
1215	1940	400	15	1	2/3
1222	400	173	22	1	1/3
1223	400	173	22	1	1/3
237	502	430	36	1	1/3
3132	470	400	15	1	1/3
3135	470	400	15	3	1/3
3138	470	400	15	1	1/3
441	469	60	15	1	1/3
5112	1915	248	2.5	2	2/3
516	351	336	2.5	1	2/3
629	1940	50	22	1	2/3
630	1940	50	22	1	2/3
W002	1049	100	12	1	1/3

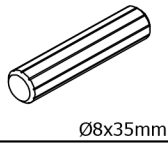


A1 x20 Ø8x35mm	B1 x22 Ø5x38mm	C1 x20 Ø15x12mm	C2 x2 Ø12x10mm	E1 x12 Ø5x16mm
G1 x34 26mm	H x1 1915mm	J1 x16 Ø21mm	K1 x8 Ø6,4x50mm	N2 x1 4mm HEX
P2 x2 350mm	T4 x1 75x28x16 mm	U1 x1 Ø33mm	U3 x1 92x33mm	W1 x6 Ø3,5x13mm
W2 x12 Ø3,5x16mm	W5 x2 Ø4x30mm	X2 x2 M4x16mm	X4 x1 M4x25mm	Y1 x4 Ø8x1,5mm
Y5 x6 Ø15x20mm	Z6 x3 Ø35mm, 90°			

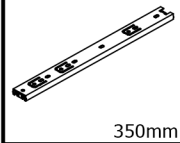


1

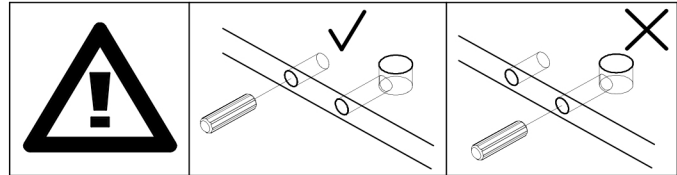
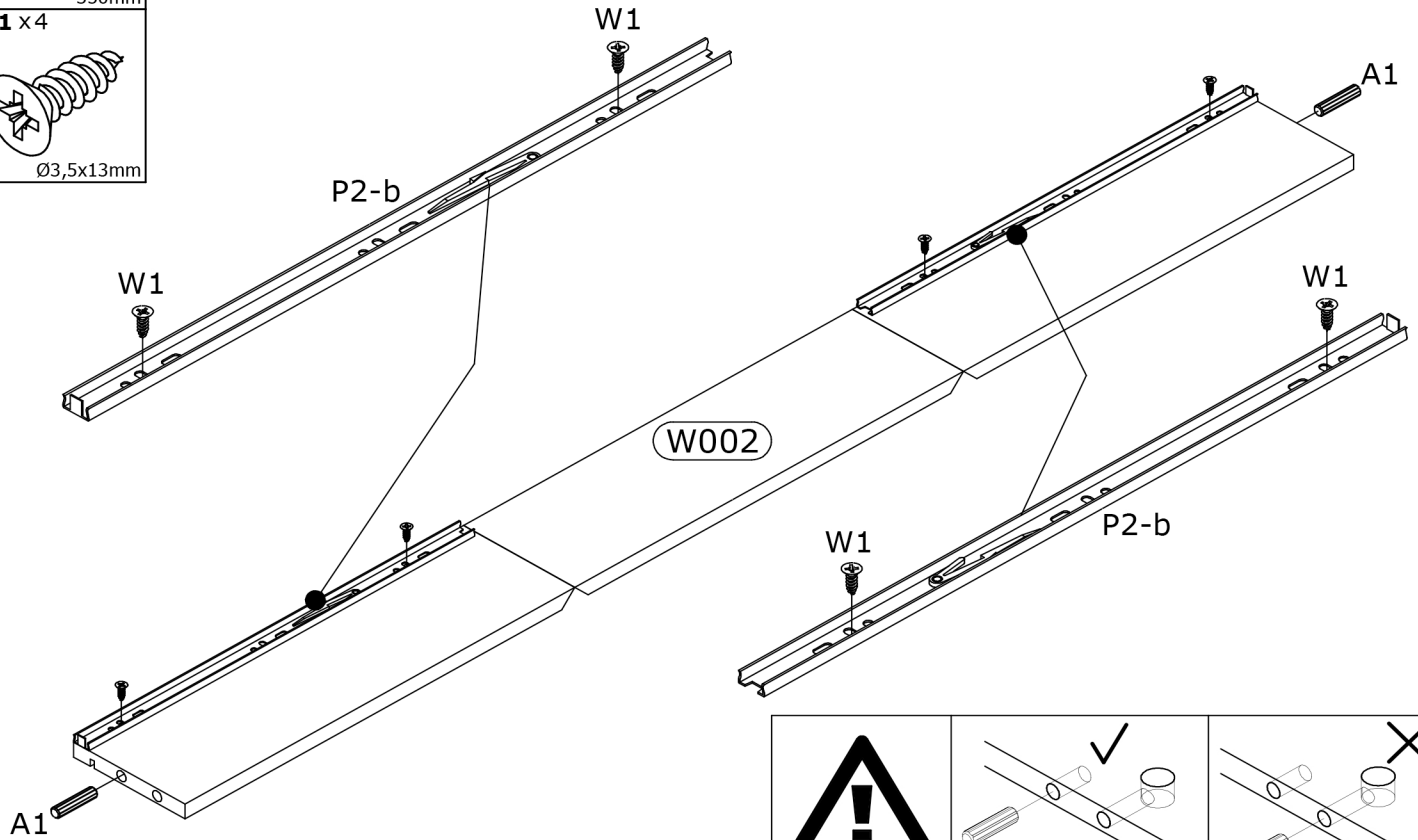
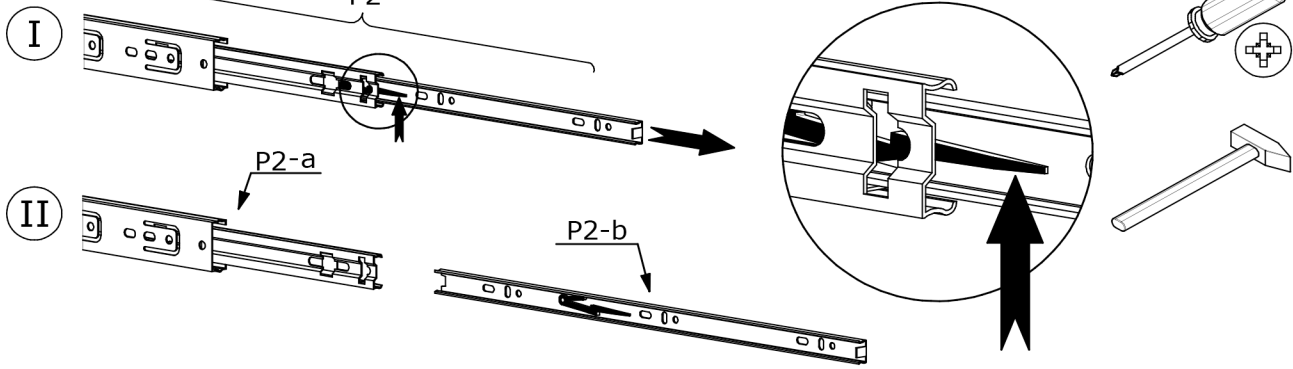
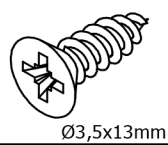
A1 x 2



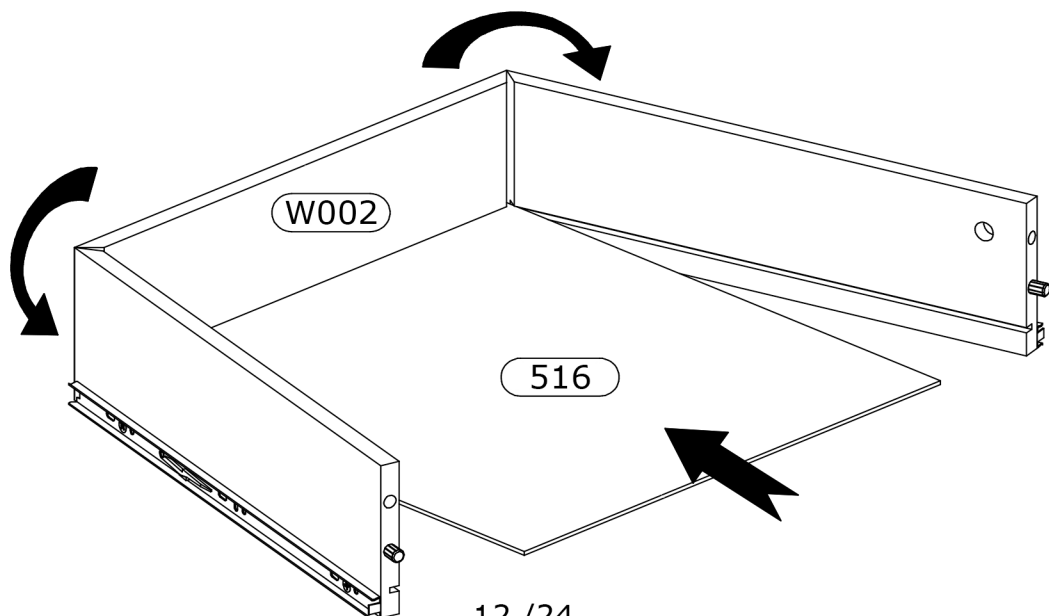
P2 x 2



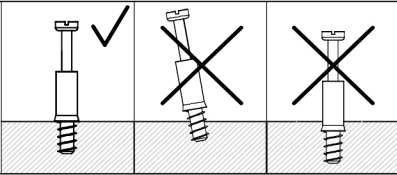
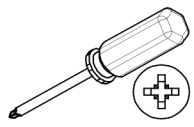
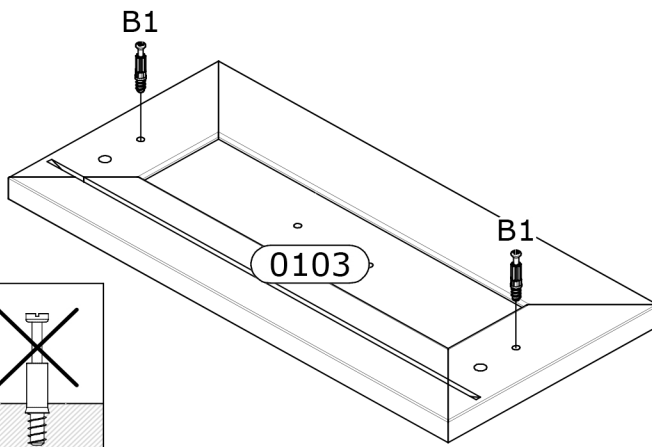
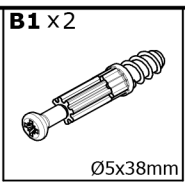
W1 x 4



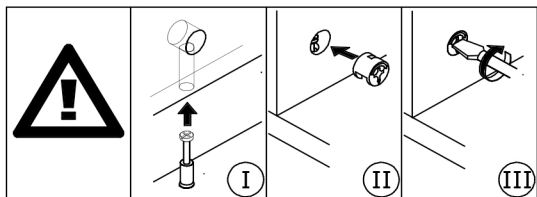
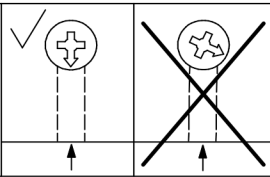
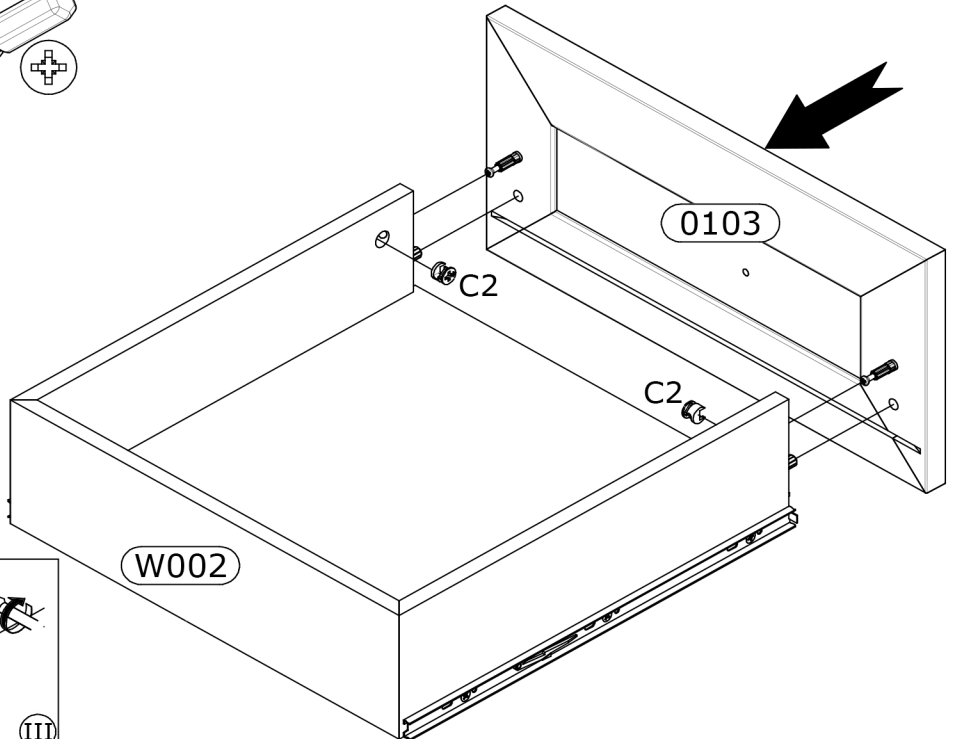
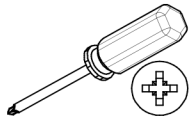
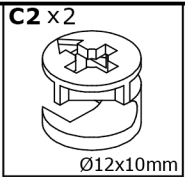
2



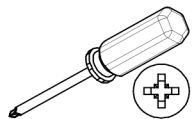
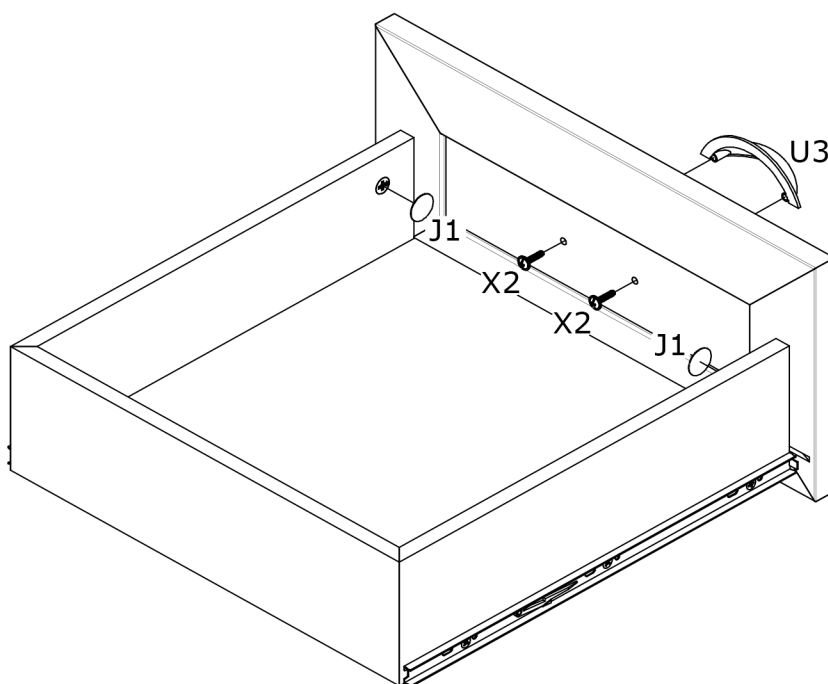
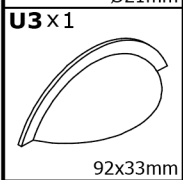
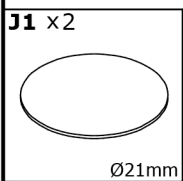
3



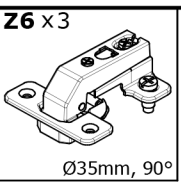
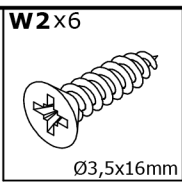
4



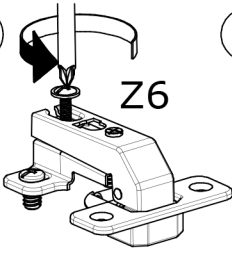
5



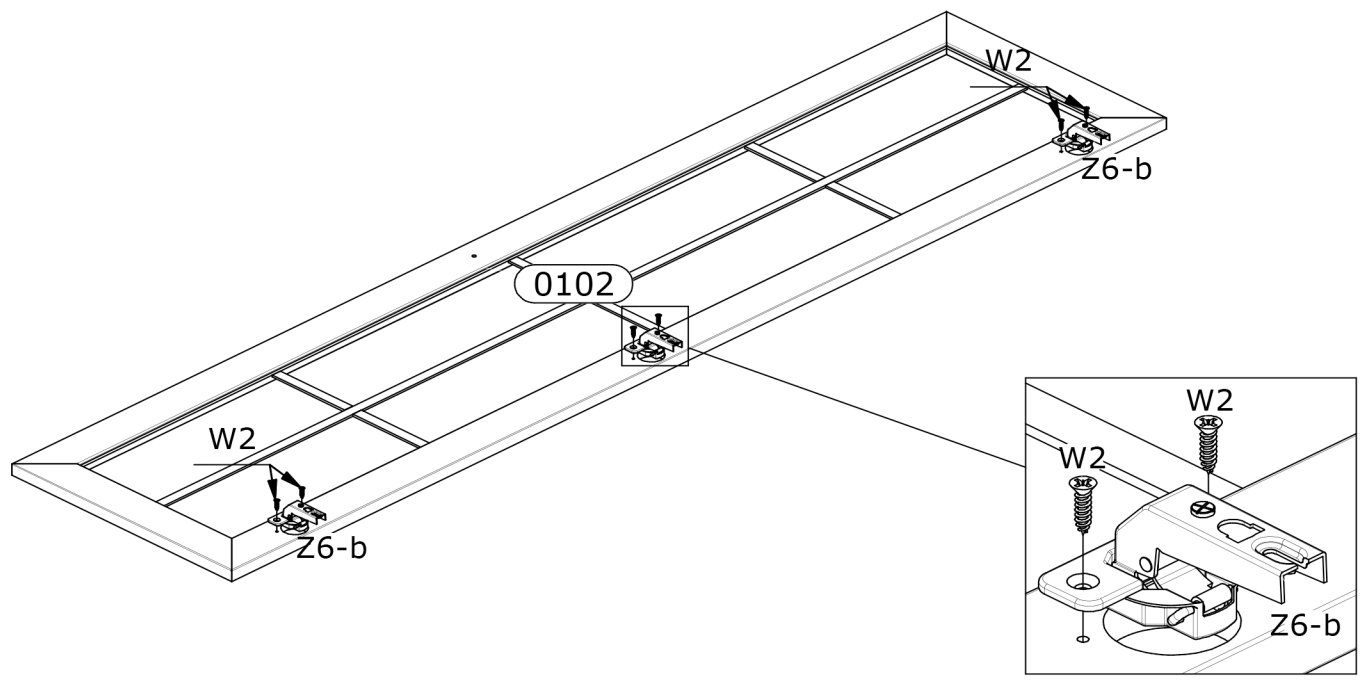
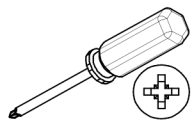
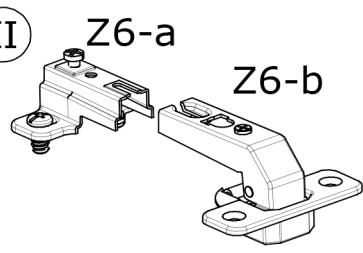
6



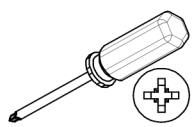
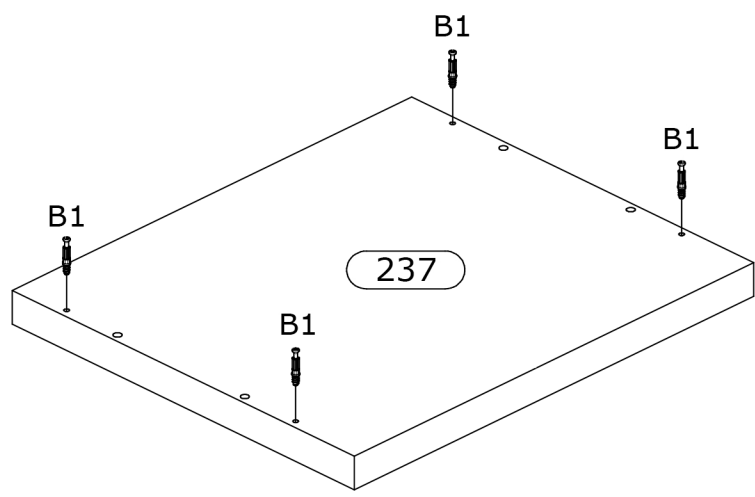
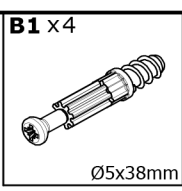
I



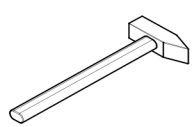
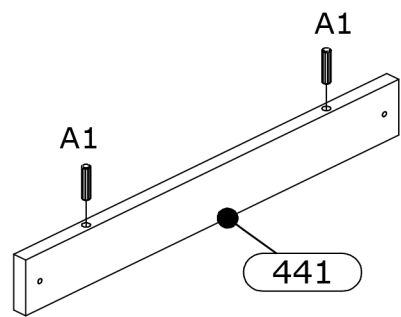
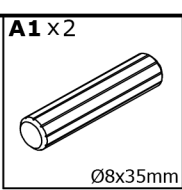
II



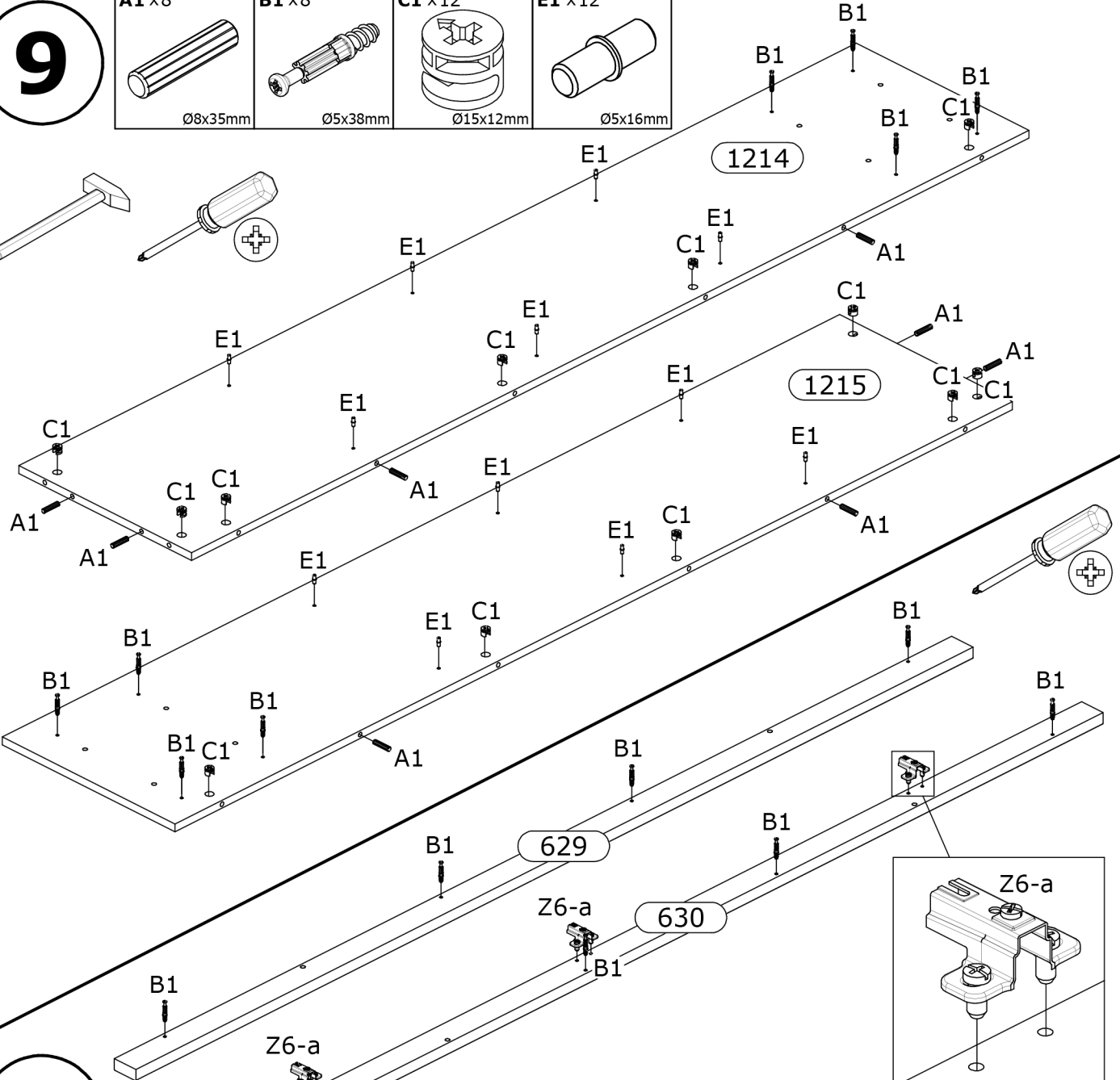
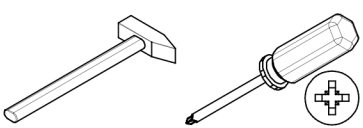
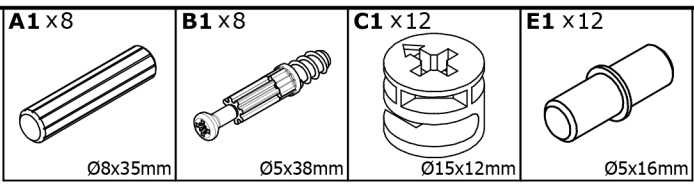
7



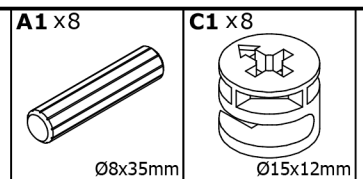
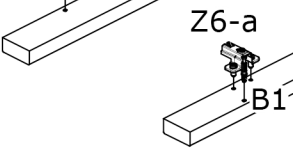
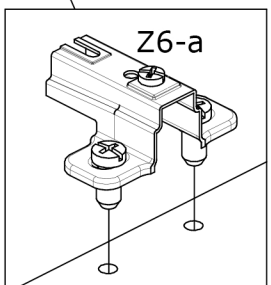
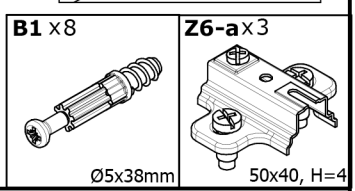
8



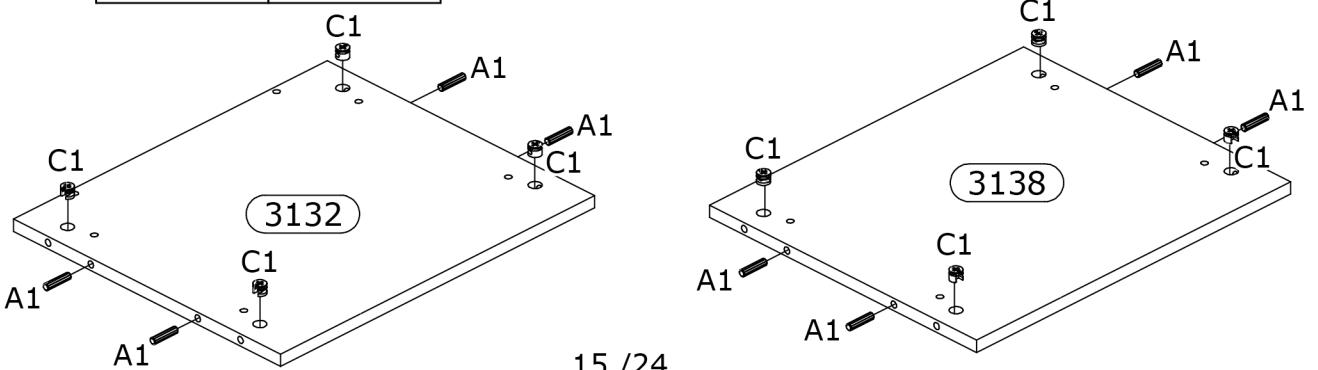
9



10

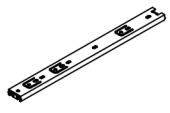


11



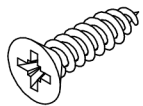
12

P2-a x 2

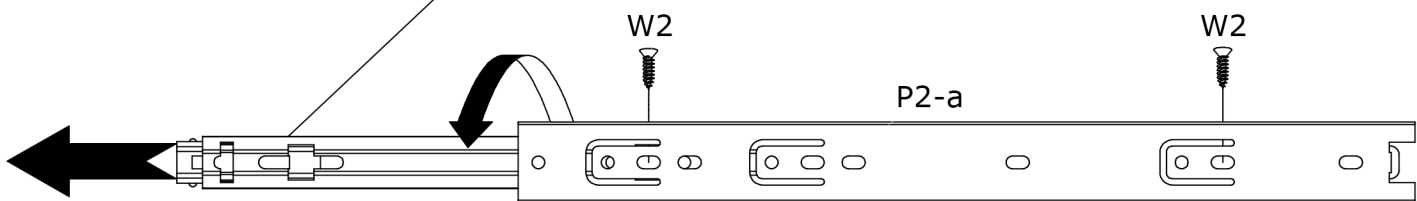
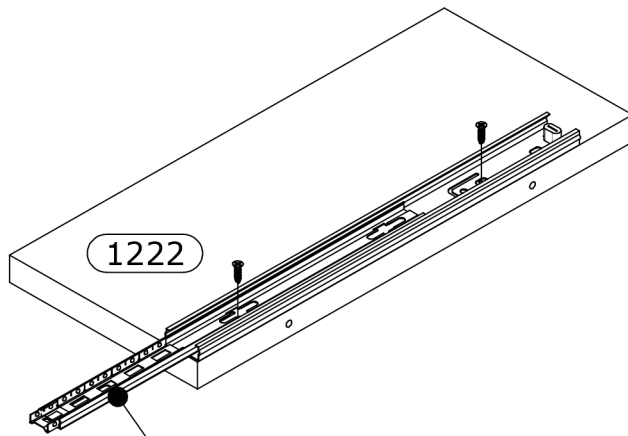
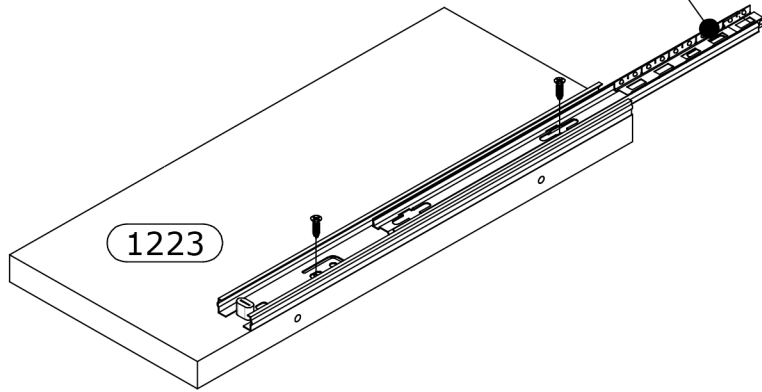
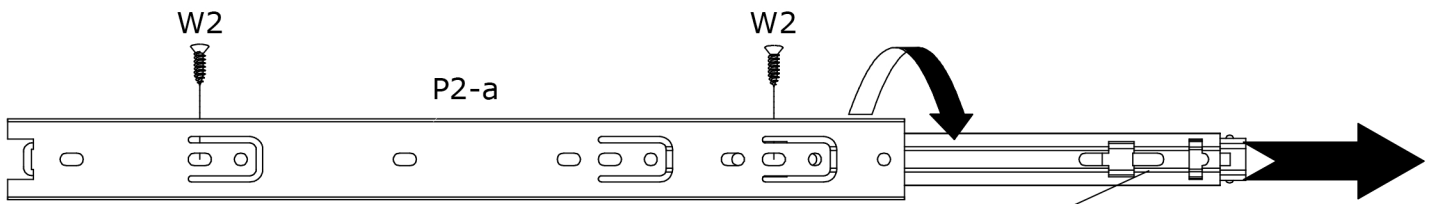
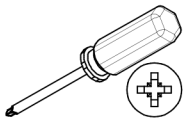


350mm

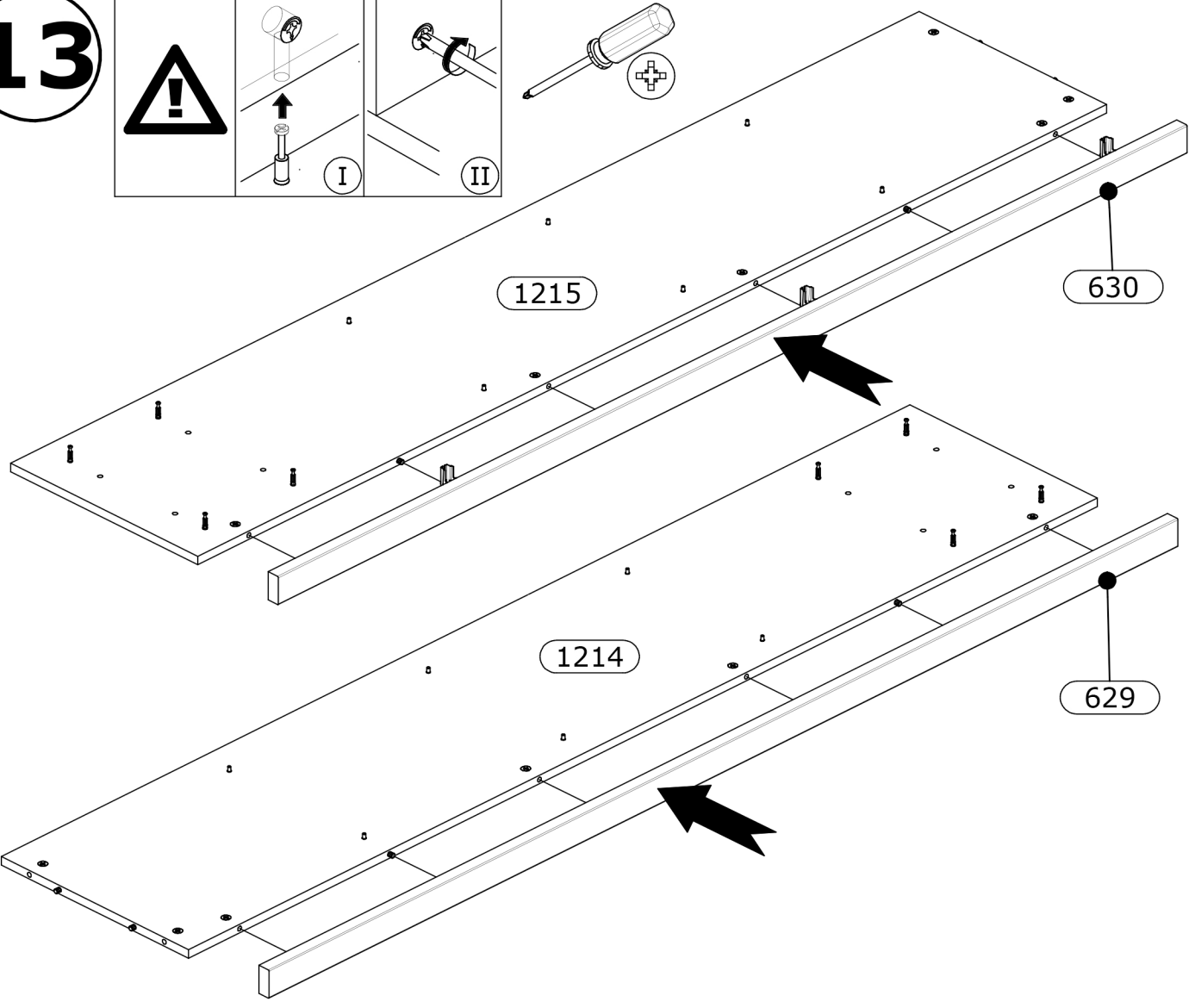
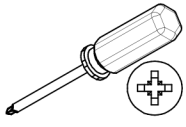
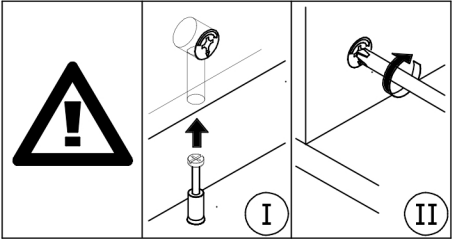
W2 x 4



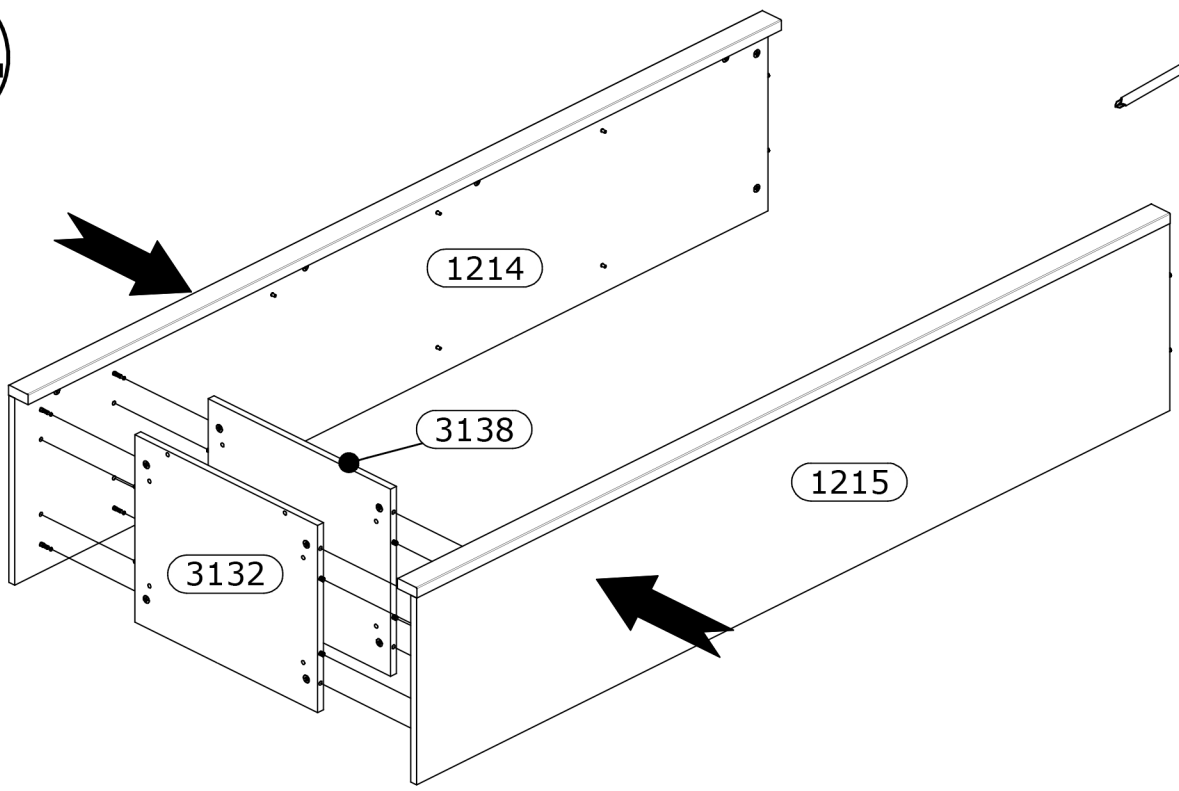
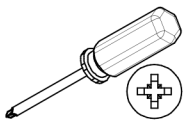
Ø3,5x16mm



13

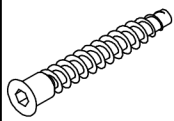


14



15

K1 x8

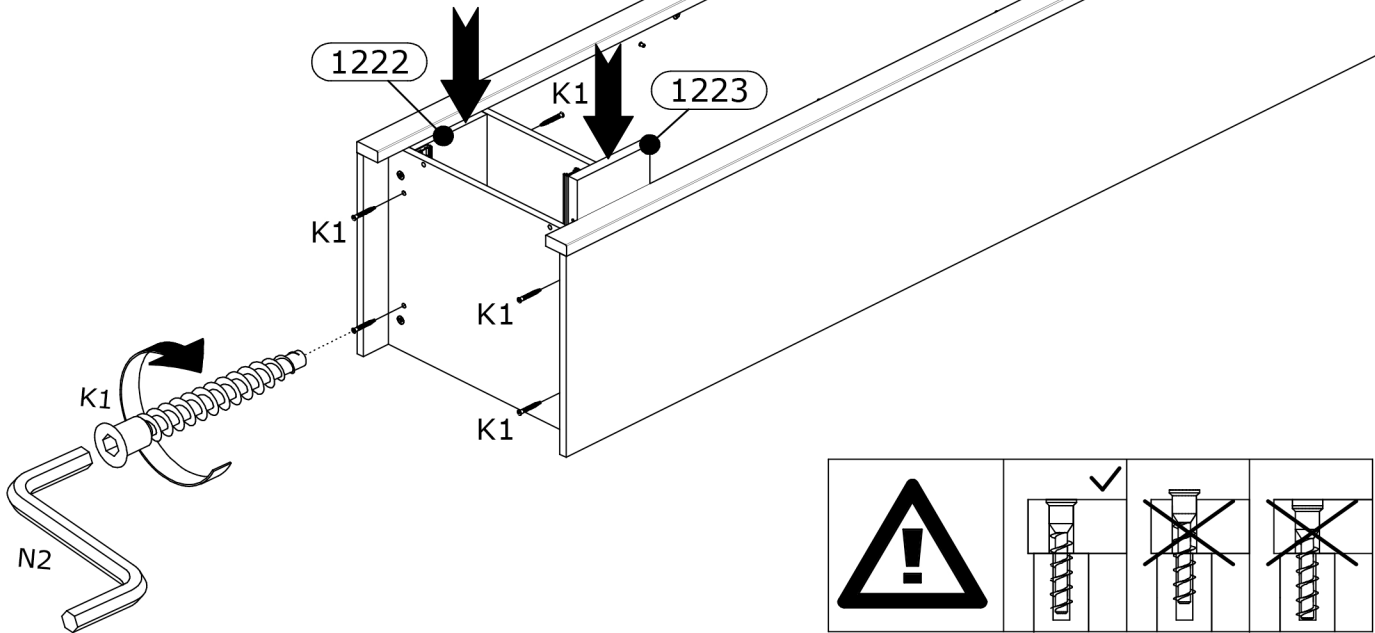


Ø6,4x50mm

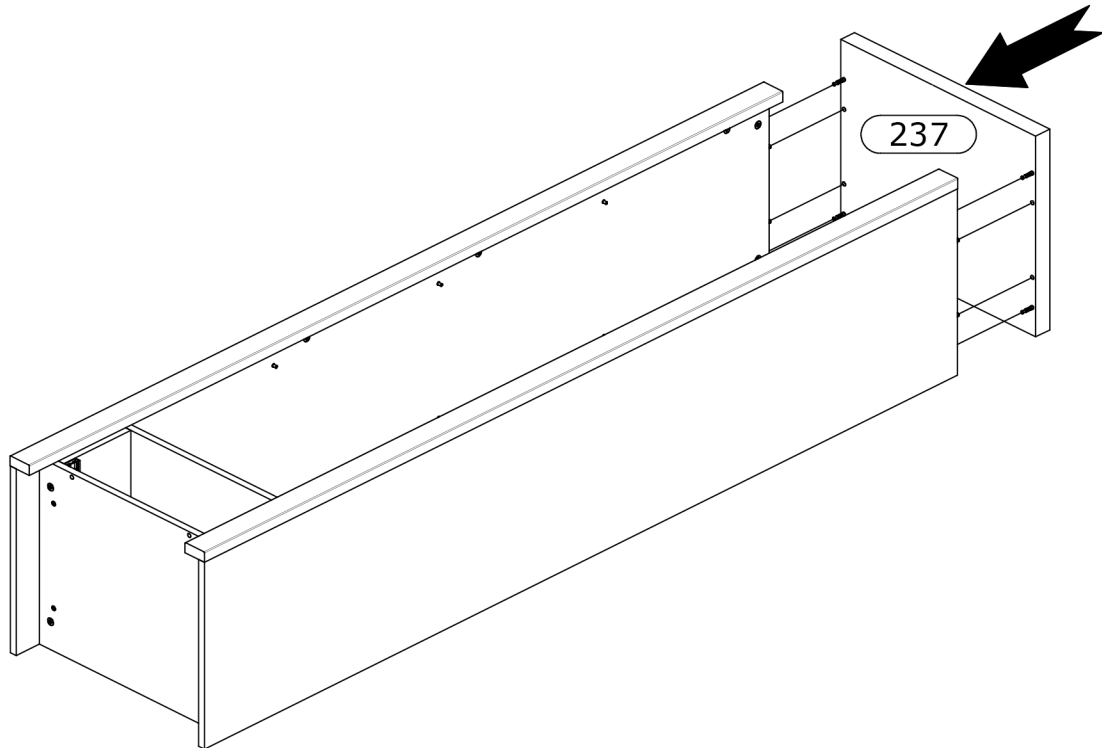
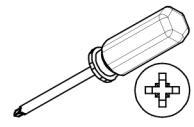
N2 x1



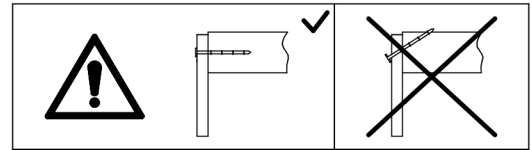
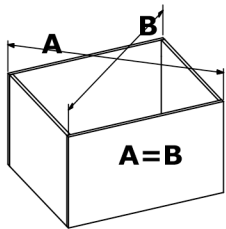
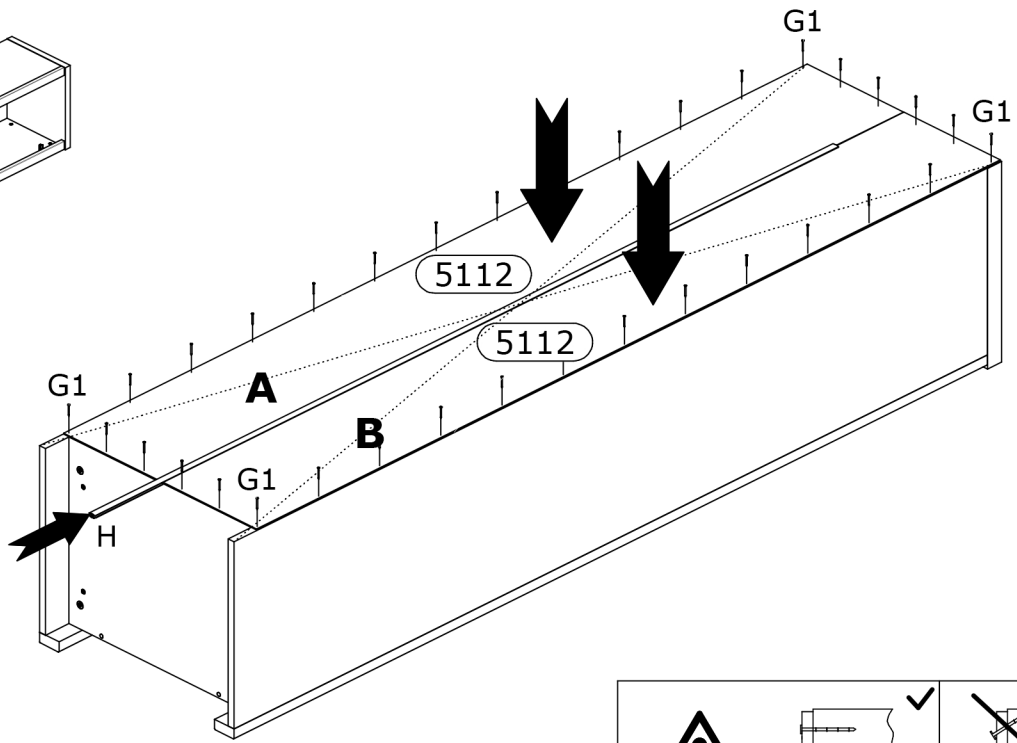
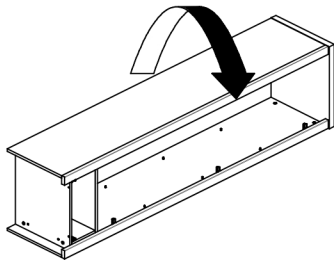
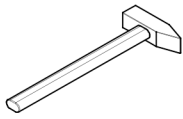
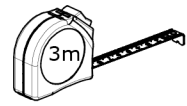
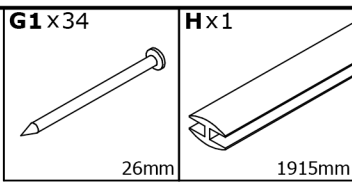
4mm HEX



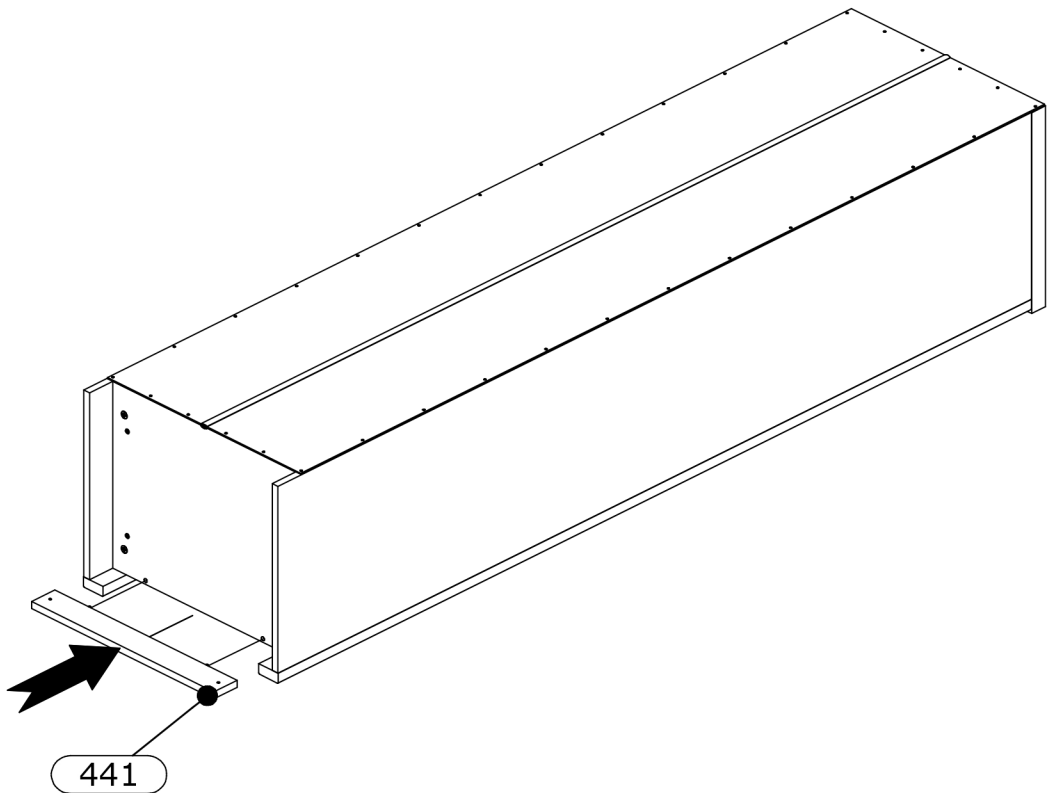
16



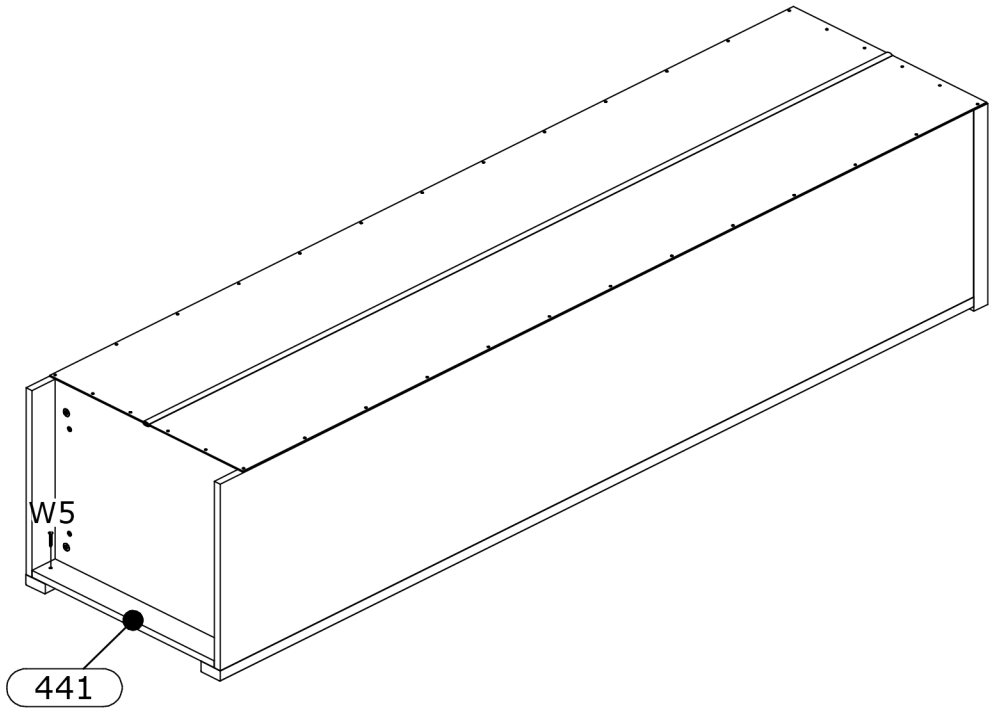
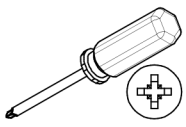
17



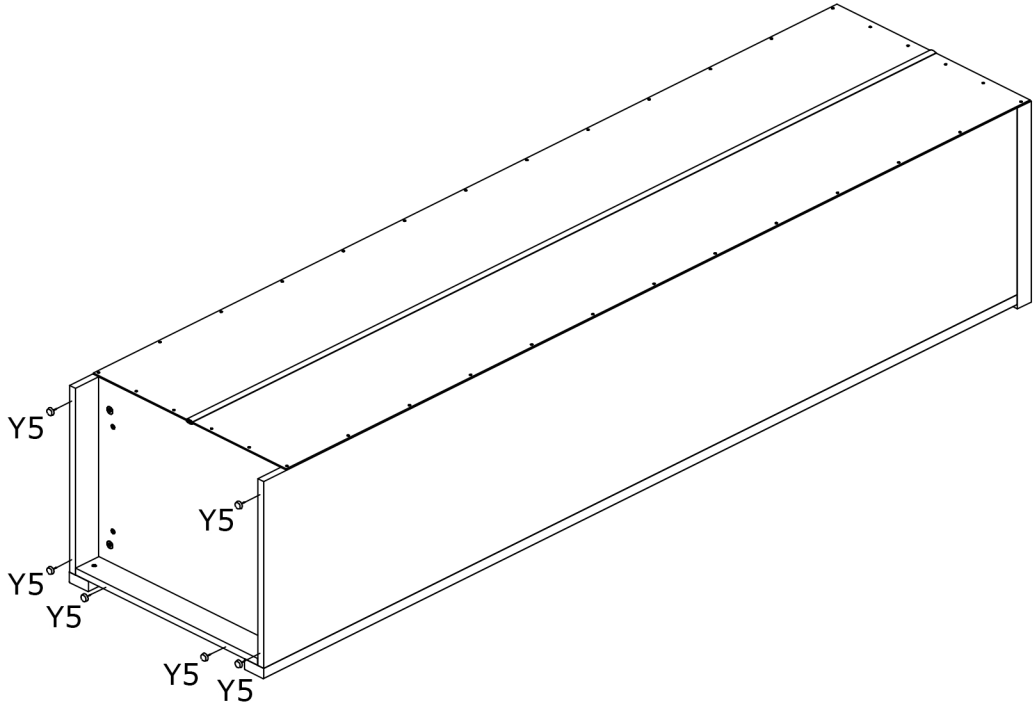
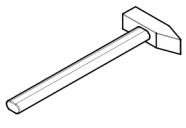
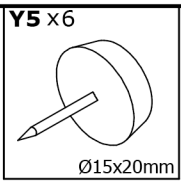
18



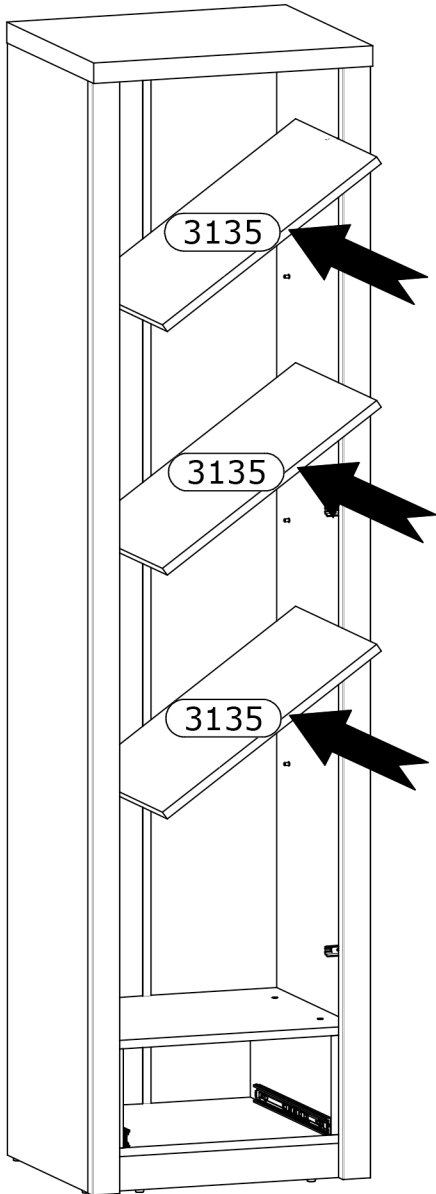
19



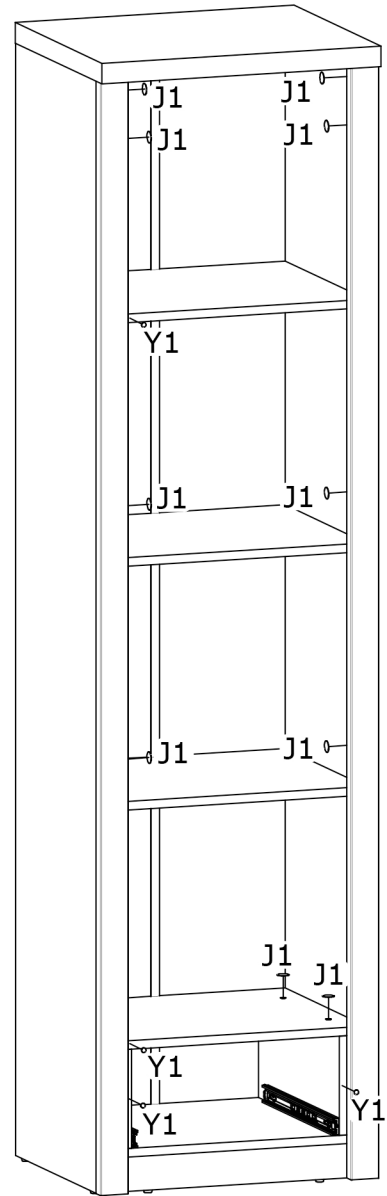
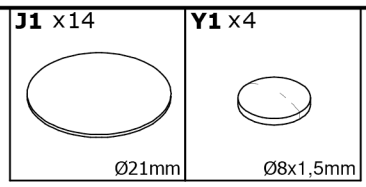
20



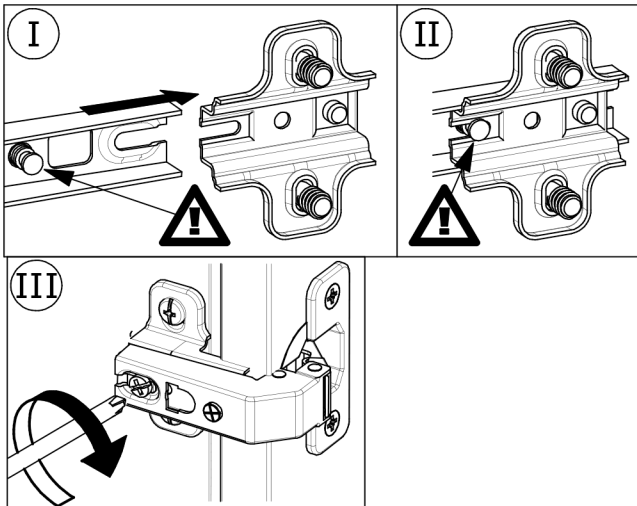
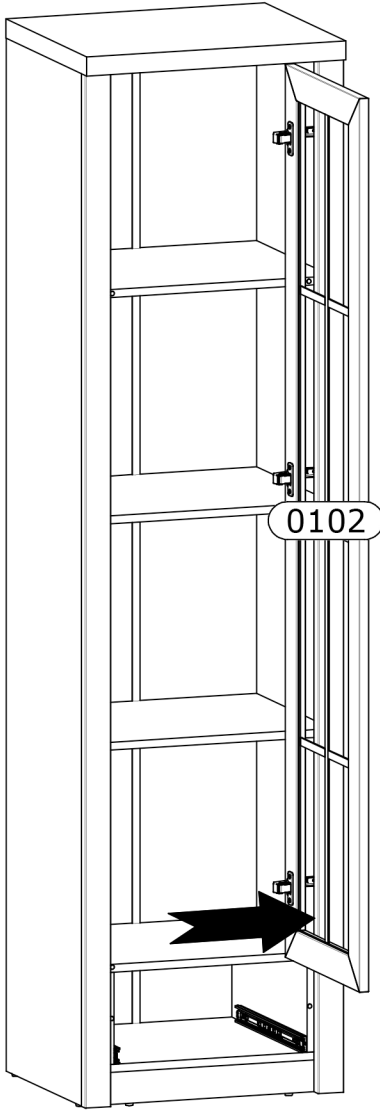
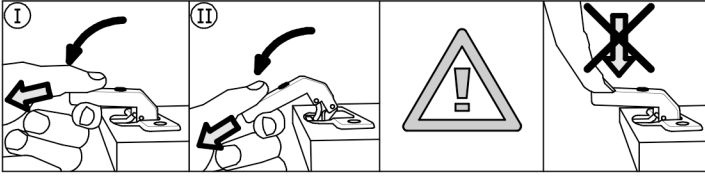
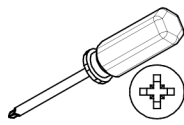
21



22



23



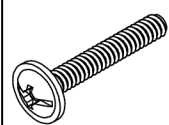
24

U1 x 1

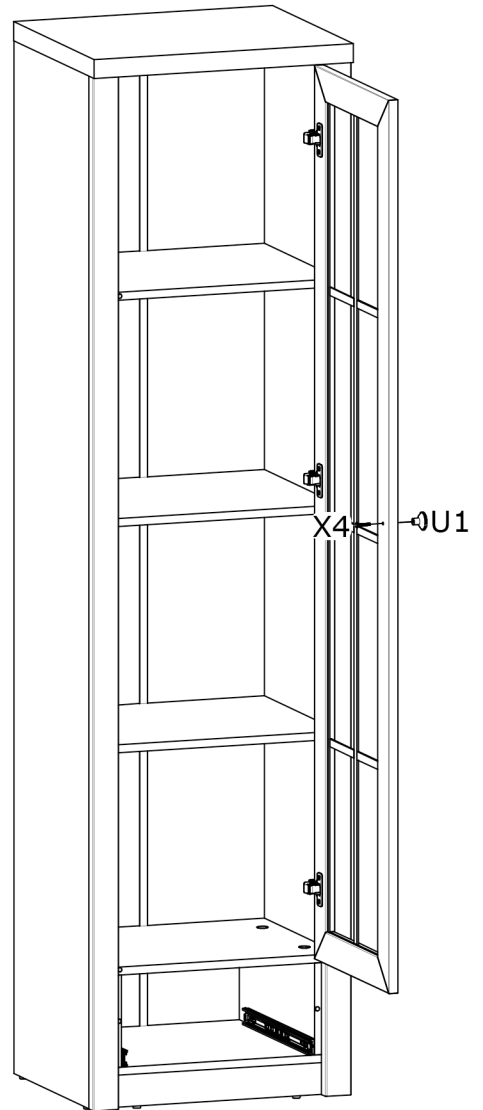
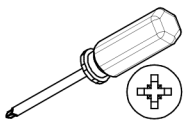


Ø33mm

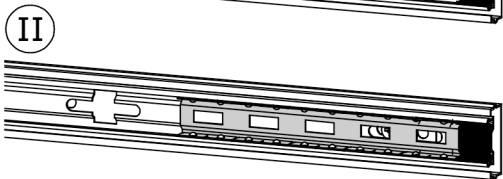
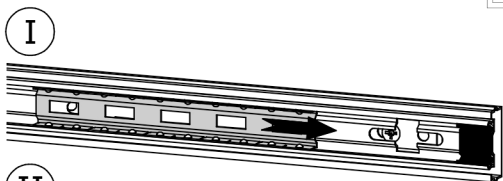
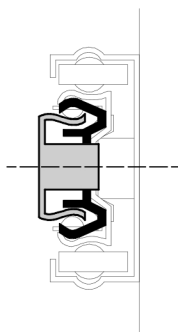
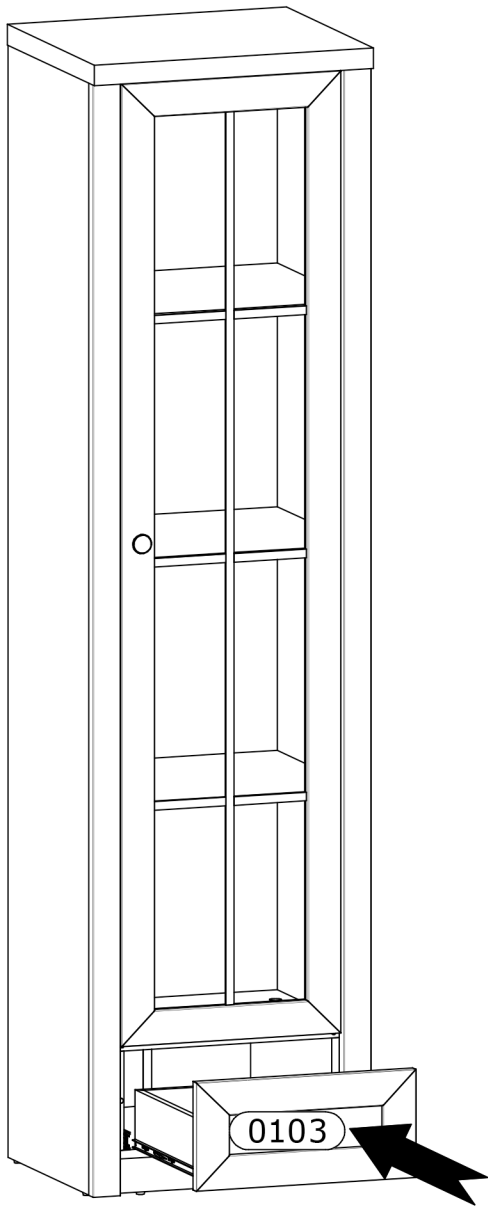
X4 x 1



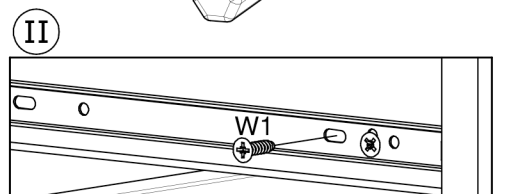
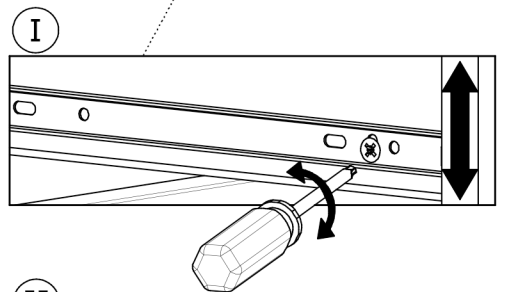
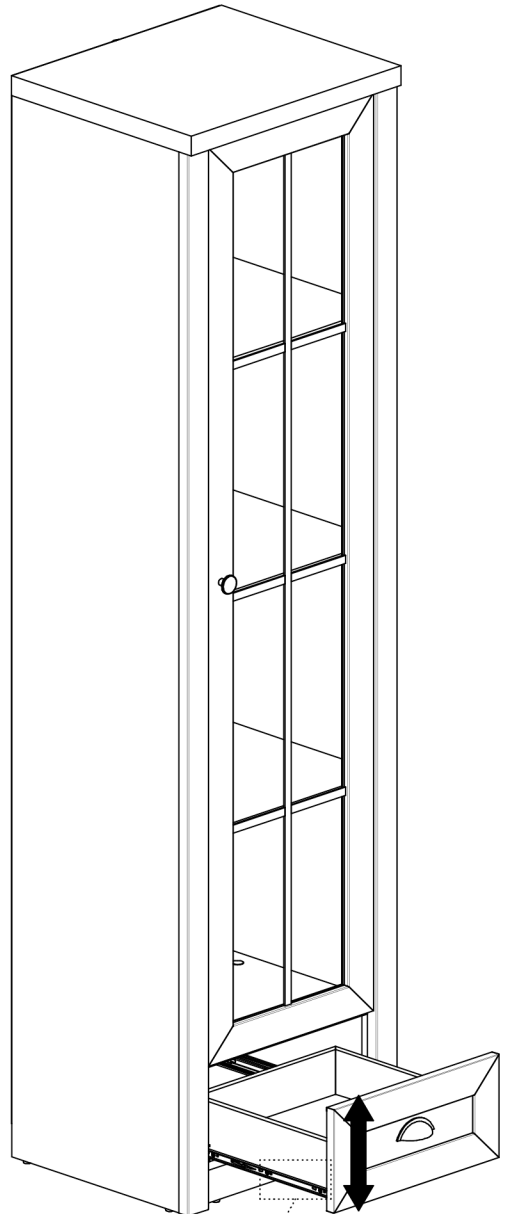
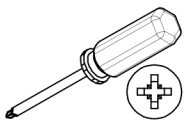
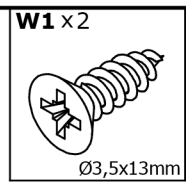
M4x25mm



25



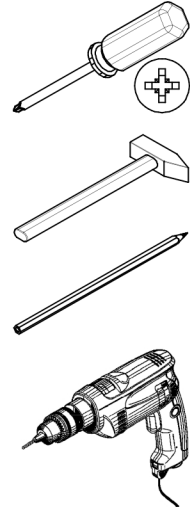
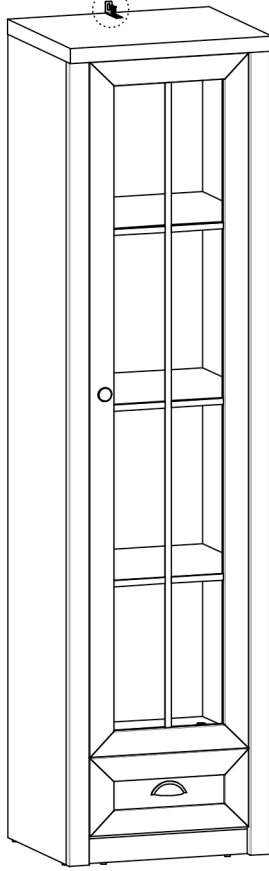
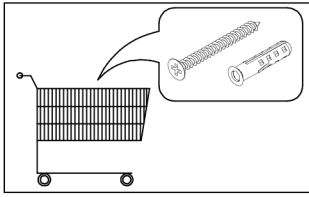
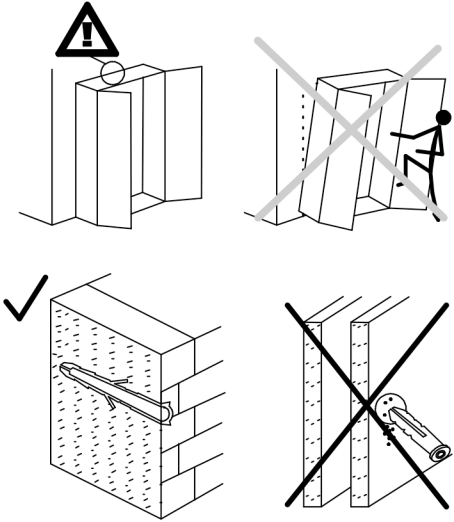
26



27

T4 x1
75x28x16 mm

W2 x2
Ø3,5x16mm



I

II

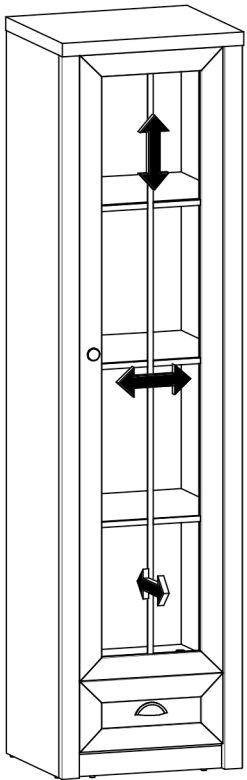
III

IV

V

VI

28



I

II

III

I

II

III

I

II

III